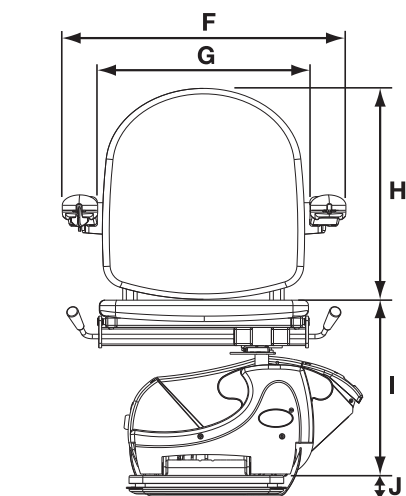
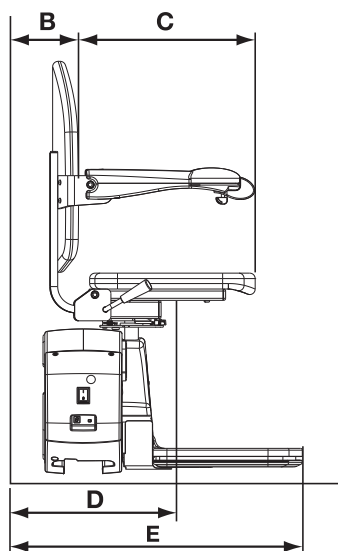
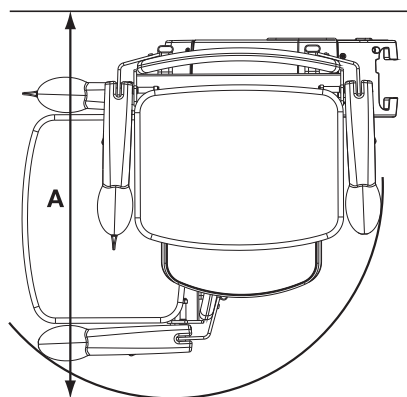


Simplicity seat – Handicare Simplicity

Straight stairlifts



Simplicity	Dimensions
A Minimum swivel radius - With short armrest	680mm 645mm
B Wall to inner seat back	75mm
C Seat depth	370mm
D Minimum folded width to footplate	285mm
E Minimum open width to edge footplate	580mm
F Armrest width – external	620mm
G Armrest width – internal	480mm
H Seat back height	400mm
I Footplate to seat height - Standard seat option - Extended seat post	390-490mm 460-560mm
J Minimum footplate height	50mm
Minimum track intrusion into staircase	160mm
Maximum weight limit - Hinged rail/Sliding Track	140kg 120kg

Some of the above dimensions depend on the characteristics of the staircase in the home. Please consult the sales manual for further information about these dimensions and features of this seat. All information is provided in good faith but does not constitute a guarantee. Handicare reserves the right to alter designs and specifications without prior notice.

